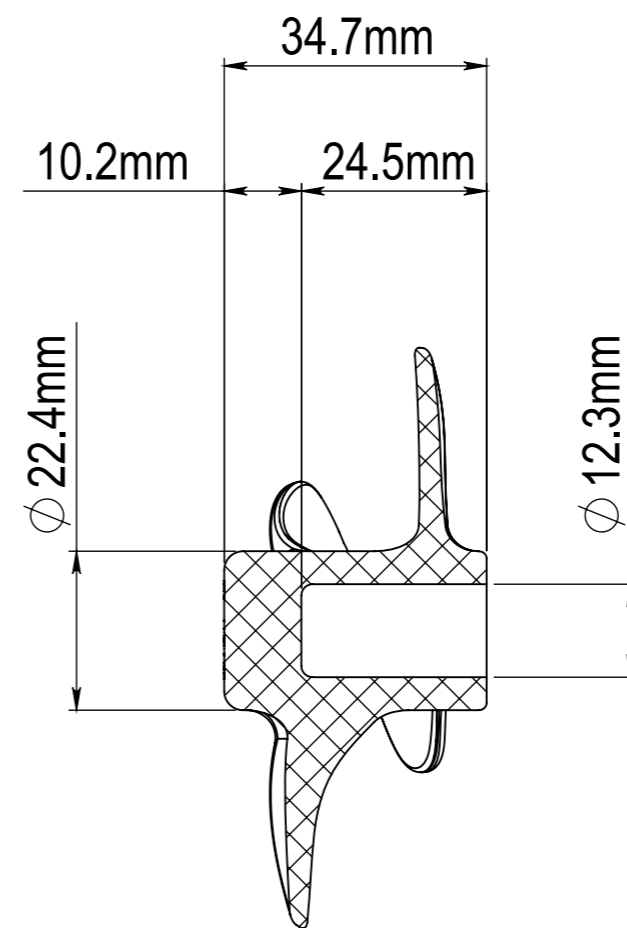


FRONT VIEW



SECTION A-A

MODEL NAME	4" PROPELLER			NOTE(S):	
DESIGNED	HF	05 AUG 15	MATERIAL	NILE PVDF	USP Class VI
DRAWN	RMG	07 AUG 15	QUANTITY	1	
CHECKED	HF		SCALE	1:1	REV Δ Initial release.
APPROVED	HF		PROJECTION		Δ As built.
CLIENT:	Nile Polymers www.nilepolymers.com		CREATED BY:	SMARTCADD www.smartcadd.com/wp	Δ
				SHEET	A3
				PAGE	1 of 1