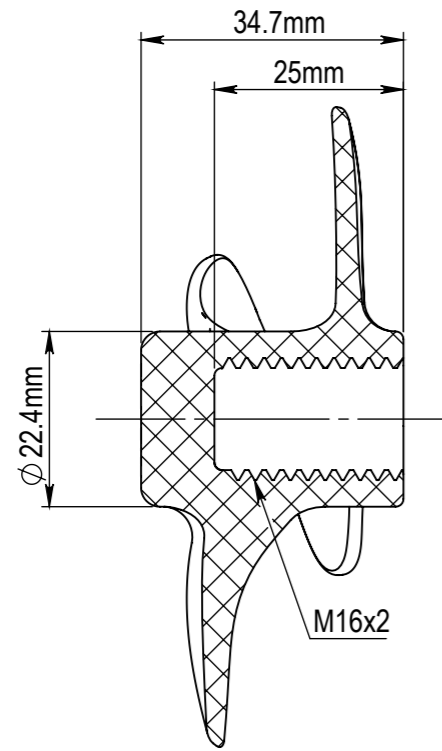
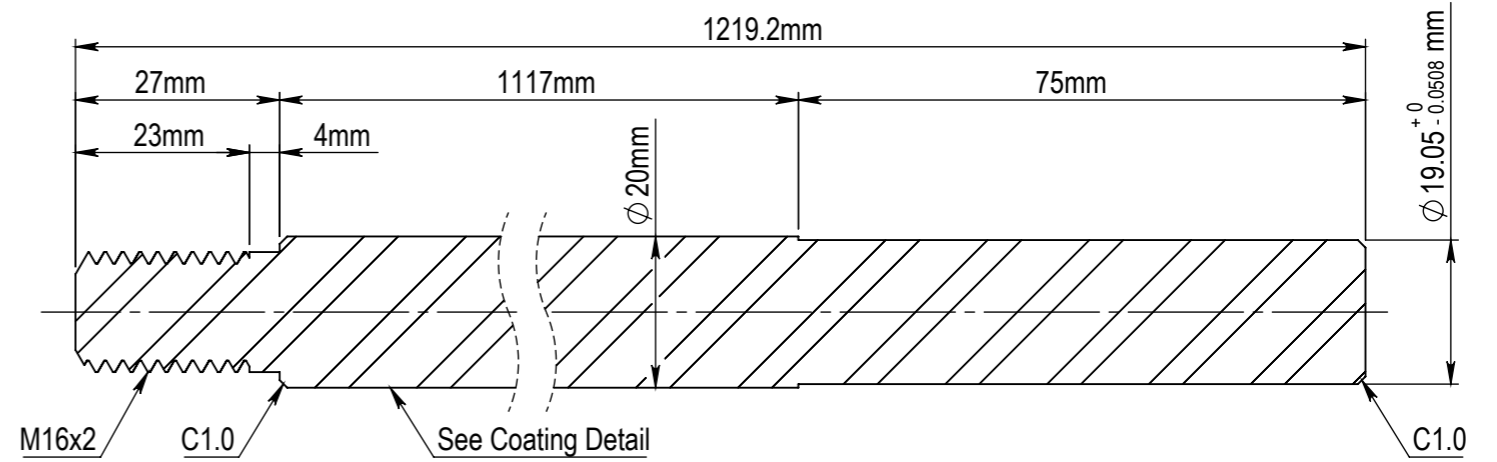
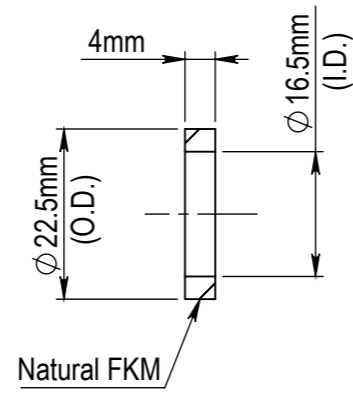


4" PVDF PROPELLER  
scale 1:1

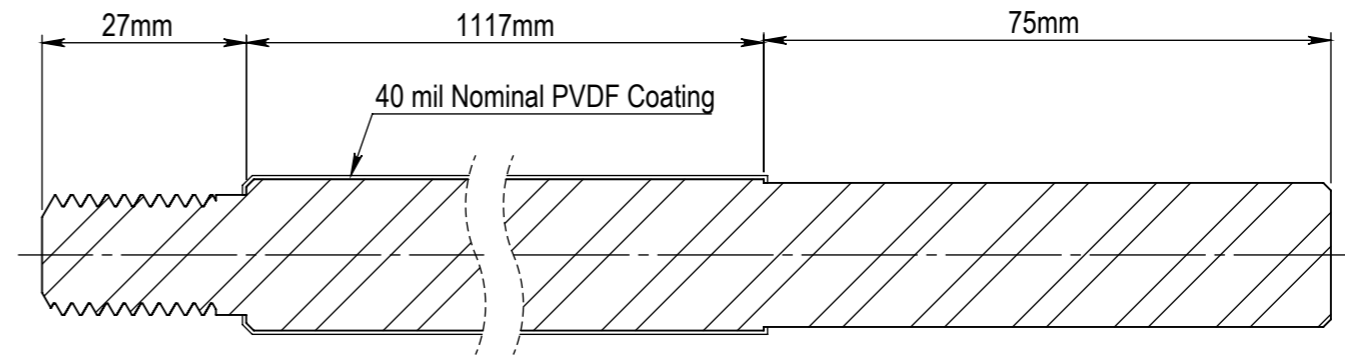
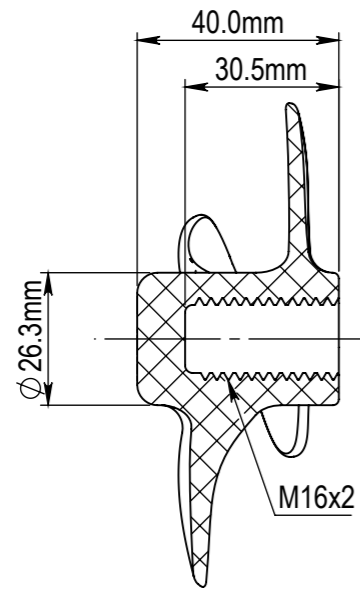


**GASKET**  
(for 4", 5" & 6" PVDF Propeller)



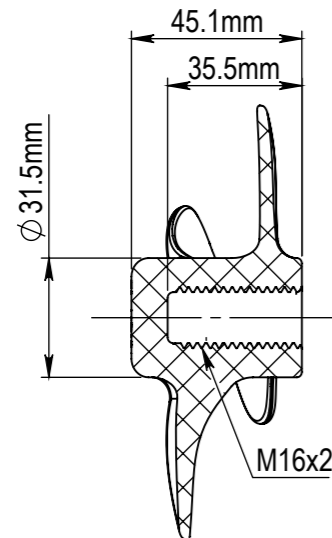
$\phi$  19.05mm ( $\phi$  0.75") SHAFT  
(for 4", 5" & 6" PVDF Propeller)

5" PVDF PROPELLER  
scale 1:1.5



**COATING DETAIL**  
(thickness exaggerated for visual purpose)

6" PVDF PROPELLER  
scale 1:2



MODEL NAME	$\phi$ 0.75" SHAFT FOR 4", 5" & 6" MIXERS			NOTE(S):
DESIGNED	HF	17 SEPT 15	MATERIAL	304 SST
DRAWN	RMG	26 SEPT 15	QUANTITY	as shown
CHECKED	HF		SCALE	1:1
APPROVED	HF		PROJECTION	
CLIENT:	Nile Polymers www.nilepolymers.com			All PVDF material used in this mixer meets USP Class VI testing requirements. REV $\Delta$ Initial release. $\Delta$ $\Delta$
	CREATED BY:  SMARTCADD www.smartcadd.com/wp			SHEET A3
				PAGE 1 of 1