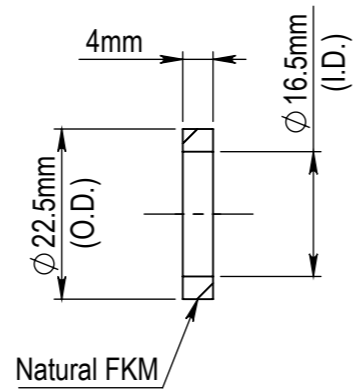
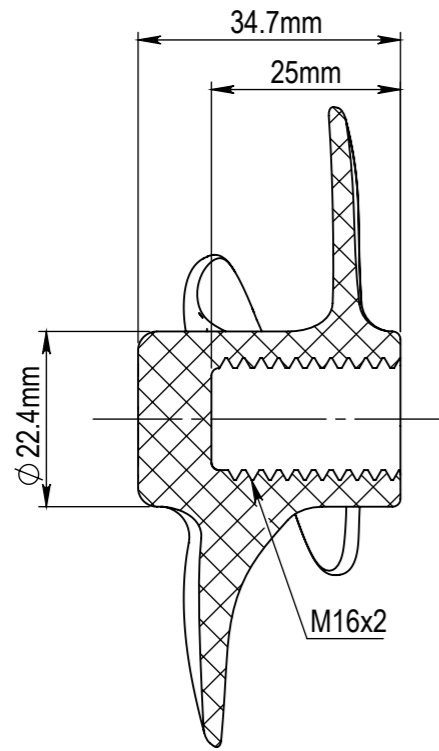
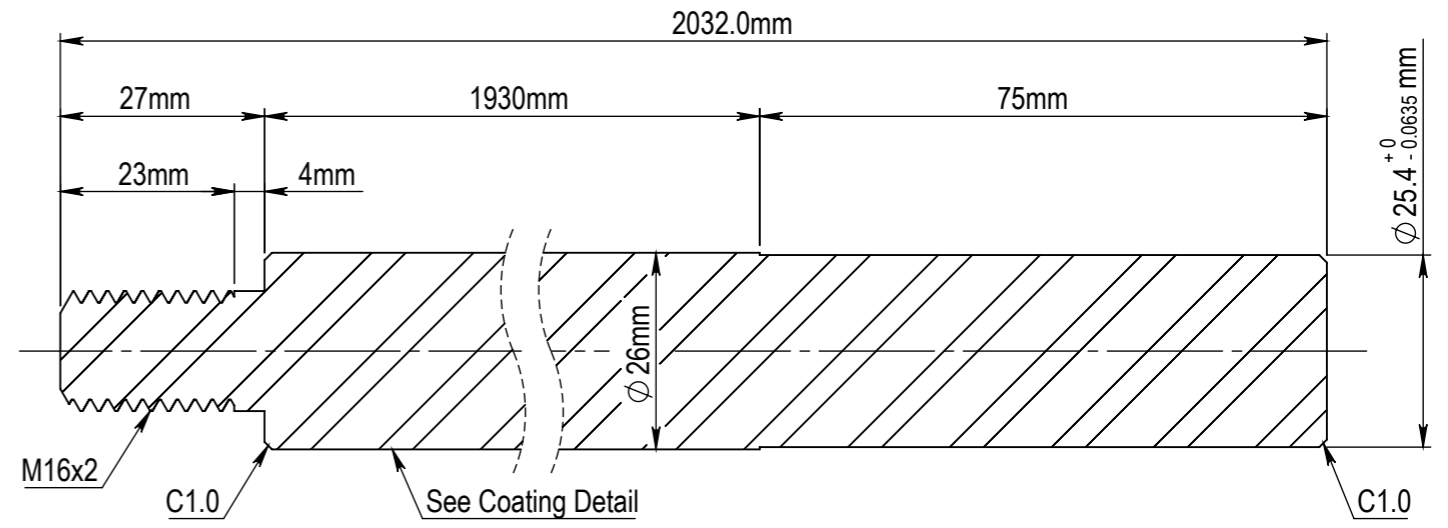


4" PVDF PROPELLER
scale 1:1

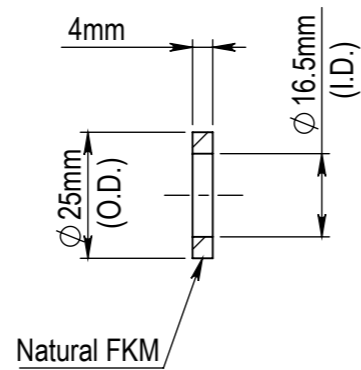
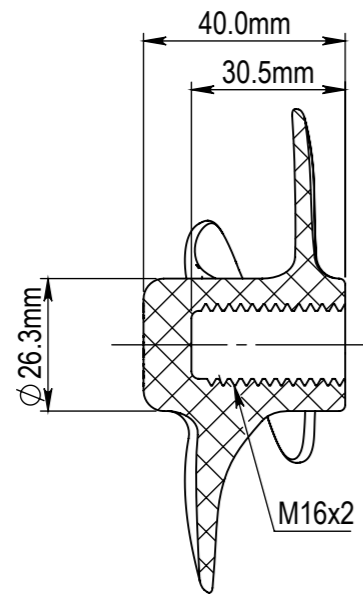


GASKET
scale 1:1
(for 4" PVDF Propeller)

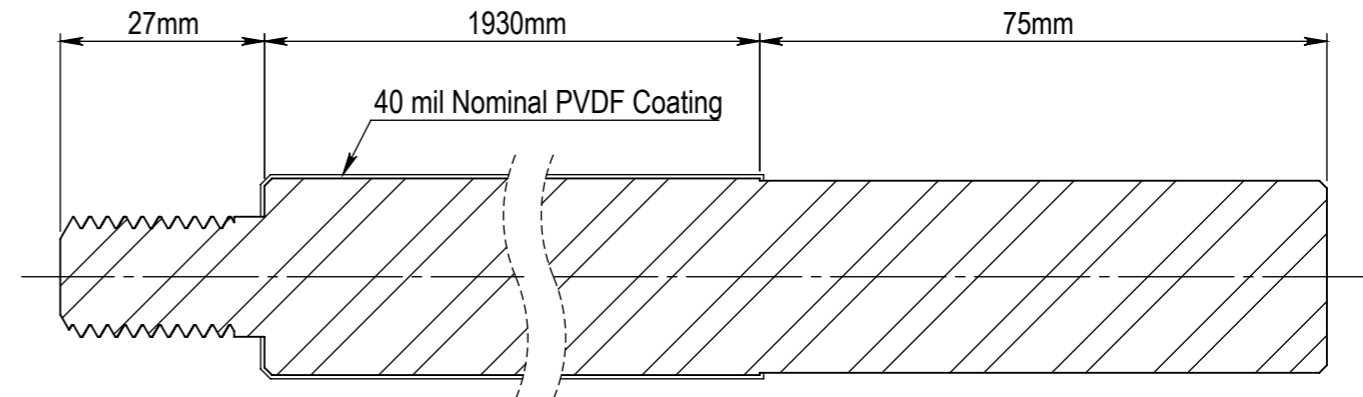


Ø 25.4mm (Ø 1.0") SHAFT
(for 4", 5" & 6" PVDF Propeller)

5" PVDF PROPELLER
scale 1:1.5

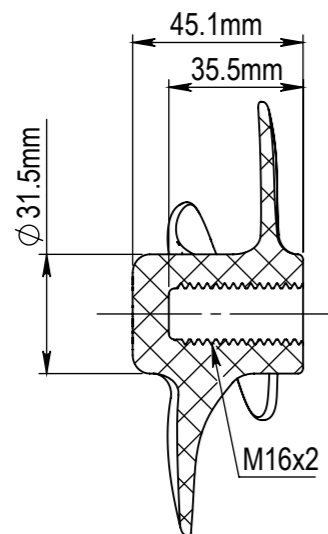


GASKET
scale 1:1.5
(for 5" & 6" PVDF Propeller)



COATING DETAIL
(thickness exaggerated for visual purpose)

6" PVDF PROPELLER
scale 1:2



MODEL NAME	Ø 1.0" SHAFT FOR 4", 5" & 6" MIXERS			NOTE(S):
DESIGNED	HF	17 SEPT 15	MATERIAL	304 SST
DRAWN	RMG	26 SEPT 15	QUANTITY	as shown
CHECKED	HF		SCALE	1:1
APPROVED	HF		PROJECTION	
CLIENT:	Nile Polymers www.nilepolymers.com		CREATED BY:	SMARTCADD www.smartcadd.com/wp
				REVISIONS: REV 0 Initial release.
				SHEET A3
				PAGE 1 of 1