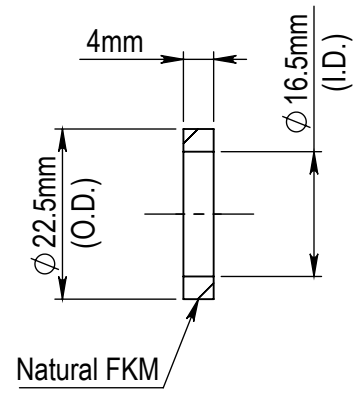
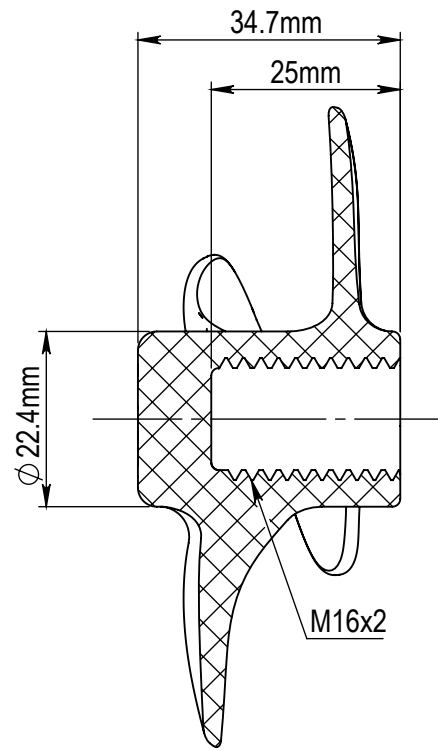
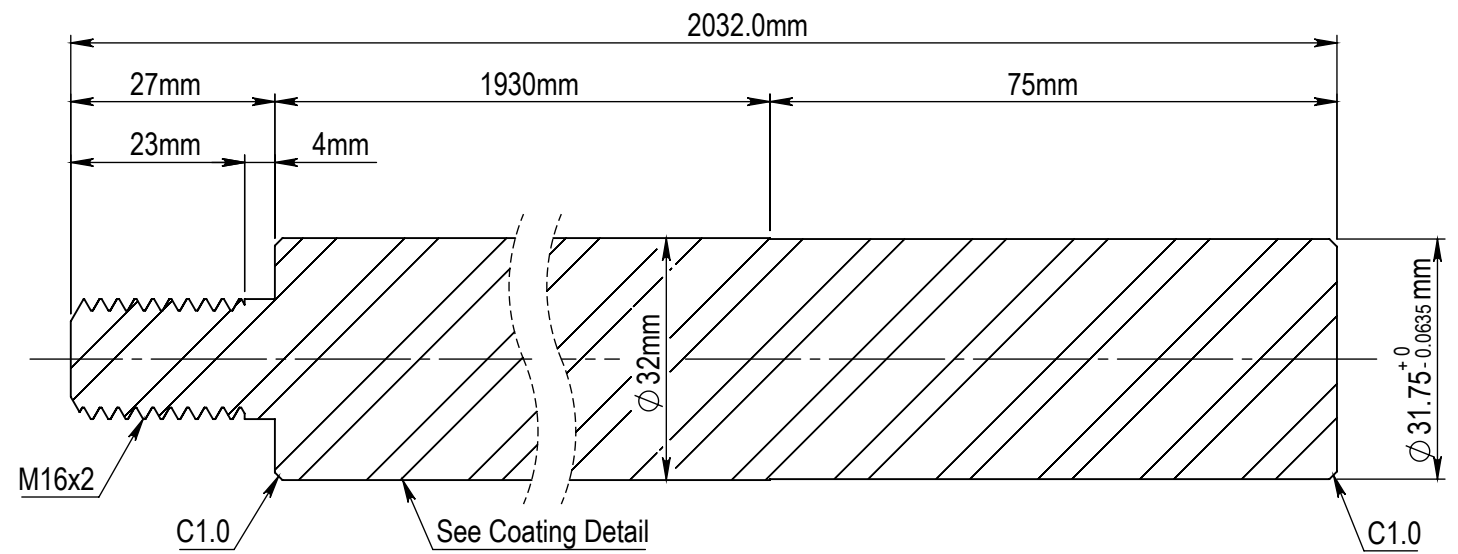


4" PVDF PROPELLER
scale 1:1

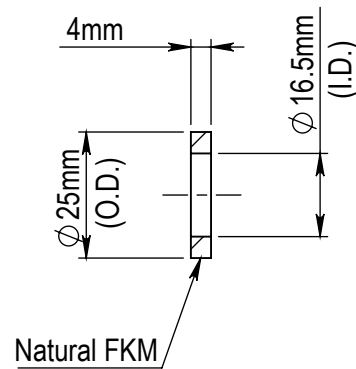
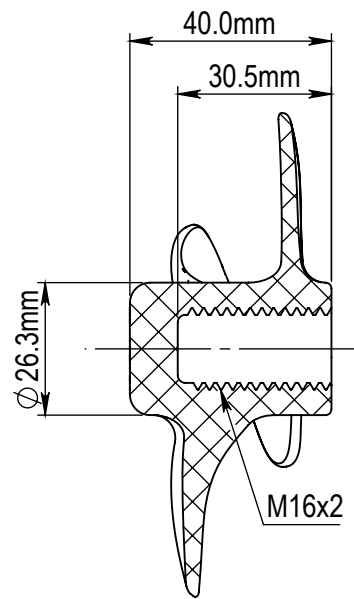


GASKET
cale 1:1
(for 4" PVDF Propeller)

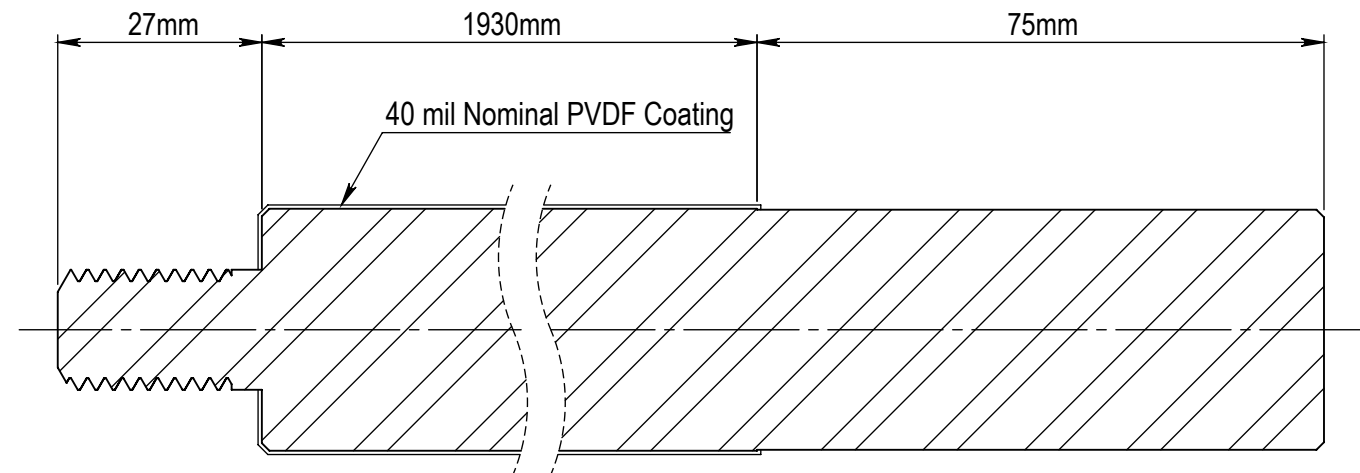


Ø 31.75mm (Ø 1.25") SHAFT
(for 4", 5" & 6" PVDF Propeller)

5" PVDF PROPELLER
scale 1:1.5

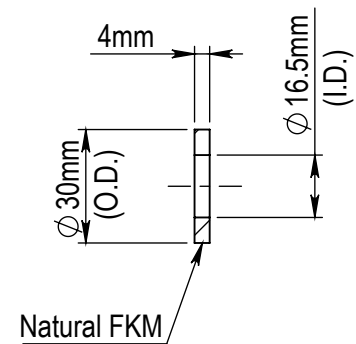
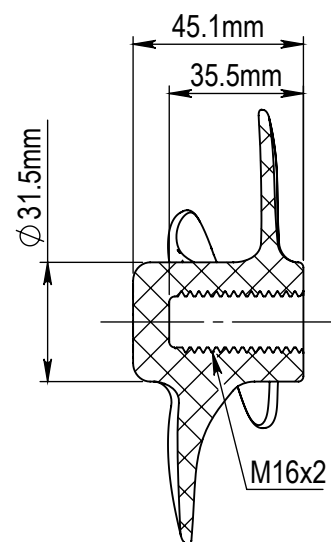


GASKET
scale 1:1.5
(for 5" PVDF Propeller)



COATING DETAIL
(thickness exaggerated for visual purpose)

6" PVDF PROPELLER
scale 1:2



GASKET
scale 1:2
(for 6" PVDF Propeller)

MODEL NAME	Ø 1.25" SHAFT FOR 4", 5" & 6" MIXERS			NOTE(S):
DESIGNED	HF	17 SEPT 15	MATERIAL	304 SST
DRAWN	RMG	26 SEPT 15	QUANTITY	as shown
CHECKED	HF		SCALE	1:1
APPROVED	HF		PROJECTION	
CLIENT:	Nile Polymers www.nilepolymers.com			All PVDF material used in this mixer meets USP Class VI testing requirements. REV Initial release.
	CREATED BY: SMARTCADD www.smartcadd.com/lp			SHEET A3 PAGE 1 of 1